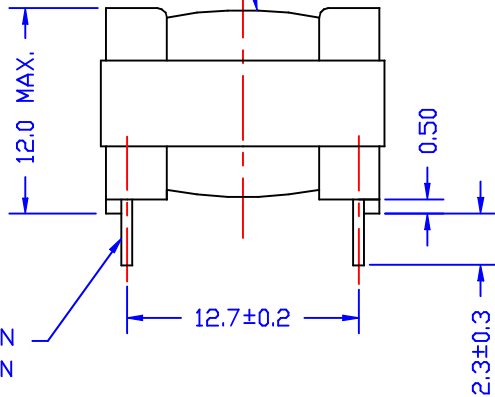
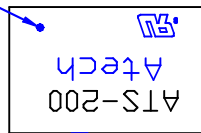
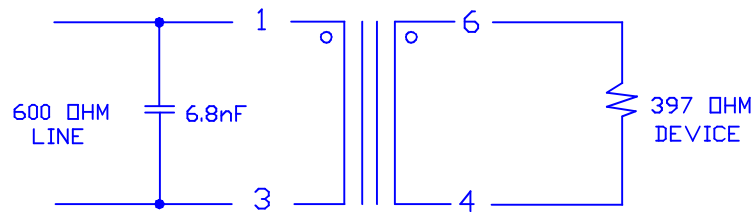
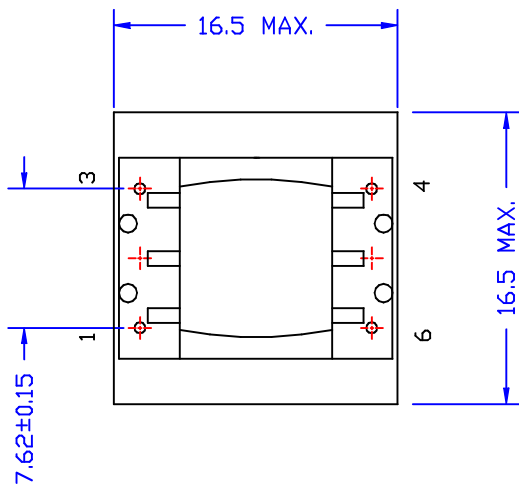


BLACK DOT PIN#1



0.5 SQ. PIN  
OR Ø0.6 PIN



OPTIMUM CLASS (B) 600 OHM MATCH

ELECTRICAL CHARACTERISTICS: (TRUE V.34bis 33.6K MODEM)

1. D.C.R. : PIN 1-3 = 115 OHM+/-8% PIN 6-4 = 91 OHM +/-8%
2. INDUCTANCE(@250HZ,1Vrms, PARRALLEL): PIN 1-3 = 21H MIN. (30H TYP.)
3. Q(@250HZ, 10mVrms) : PIN 1-3 = 1.2 MIN.
4. LEAKAGE INDUCTANCE(@250HZ, 1Vrms,SERIES) : PIN 1-3 = 5mH MAX.
5. RETURN LOSS : (REF. 600 OHM) 250 TO 4KHZ = 39dB MIN.
6. INSERTION LOSS : (@1KHZ,1Vrms)1.9dB MAX.
7. FREQ. RESPONSE: (REF. 1KHZ) 200 TO 4KHZ = +/-0.1dB
8. LONGITUDINAL BALANCE : 200HZ-4KHZ 80dB MIN.
9. TURN RATIO : (6KHZ, 0.1Vrms) PIN 1-3 : 6-4 = 1+/-1%
10. DISTORTION : 300HZ, -10dBm : -88dB MAX.
11. HI-POT : (@1500VAC. 1mA, 1MINUTE) PIN 1-6

						<b>Atech</b> <sup>®</sup>		TITLE 600 : 397 TRANSFORMER	
						Atech Technology Co.. Ltd.		DWG. NO. ATS-200	
						TEL:(02)2794-8667 FAX:(02)2794-8004			
						UNITS:		SAFETY	
RELEASE									
NO.	DESCRIPTION	DATE	BY	CHK	APPD	DATE		SHEET 1 OF 1	
REVISIONS								DRAW	